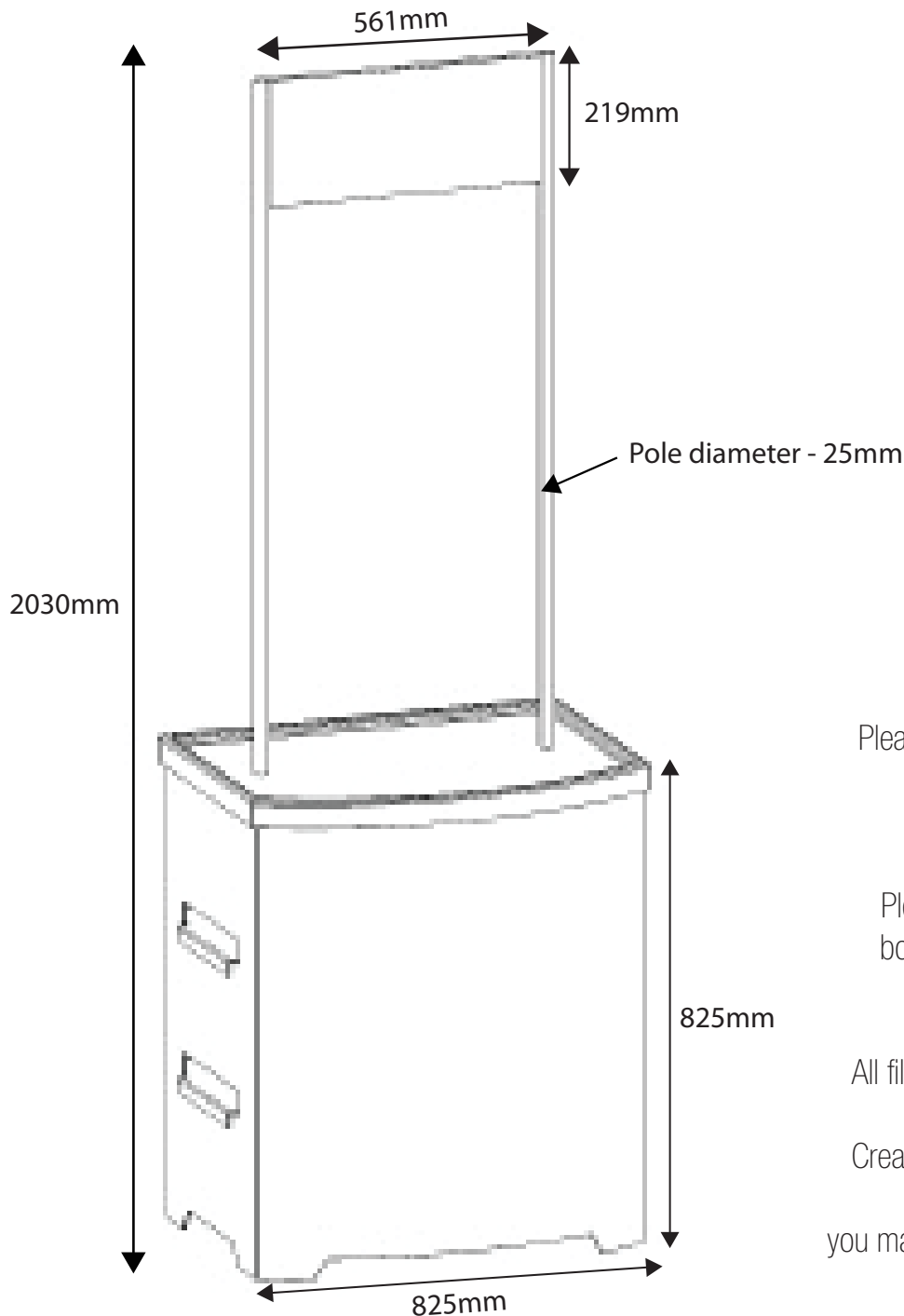


Symphony in-store Promotion Unit



ARTWORK GUIDES

Please ensure that all the elements used in your documents are supplied including imported EPS files, TIFF files and all fonts.

Please note: when supplying fonts ensure that both the screen font suitcase and each printer font is supplied, or make all fonts to outline.

All files should be single file CMYK. is preferable.

Create your artwork at 1.4 size we cannot work with files created smaller than this, however you may work at the same size or 1.2 size if using smaller sizes.



the **complete** exhibition & display company

Displays To Go Limited

Displays House, Unit 19, Leeway Industrial Est., Newport, NP19 4SL

T 01633 283838 F 01633 283829

E info@displays2go.co.uk W www.displays2go.co.uk